

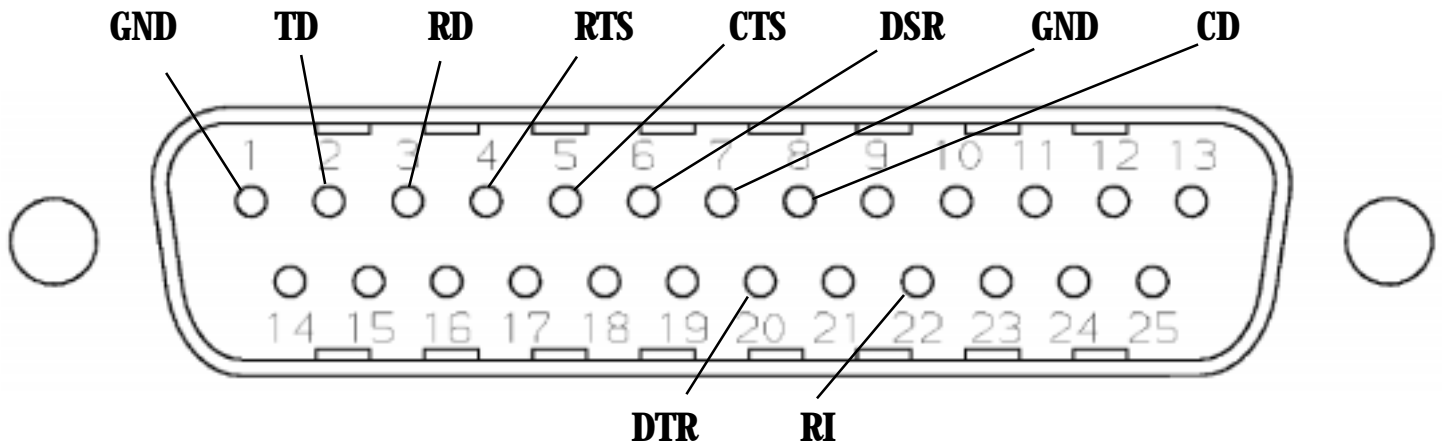


This document describes the connector wiring for each port of the IRIS SmartPort Serial Controller. Each port supports multiple interfaces, so please refer to the section which is applicable to your interface needs. Please *do not* cable to connector pins not described in this document, as several of them have “live” connections to reserved functionality within the SmartPort unit.

**RS-232**

The SmartPort supports the most common subset of standard RS-232 DTE connector wiring. This interface matches the 25-pin connector found on PC serial ports. (Newer computers are more likely to have 9-pin connectors for serial ports, but 9-to-25 converters in both directions are widely available from PC accessory dealers.)

Please do not use serial cabling which uses pins other than those shown below.



<b>SmartPort to Device</b>	<b>Device to SmartPort</b>
TD - Transmit Data	RD - Receive Data
RTS - Request To Send	CTS - Clear To Send
DTR - Data Terminal Ready	DSR - Data Set Ready
	CD - Carrier Detect
	RI - Ring Indicator
GND - Signal Ground	

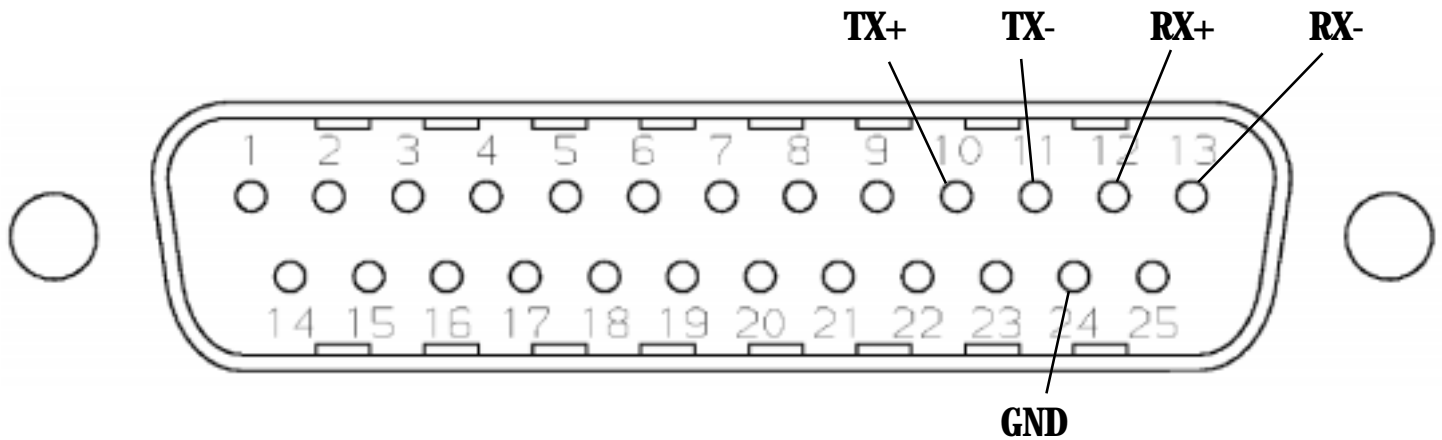
*If hardware handshaking is not used, only TD, RD and GND are necessary to complete the RS-232 connection.*



## RS-422

The RS-422 interface uses two pairs of wires, one for communicating from the SmartPort to the device, and one for communicating from the device to the SmartPort. The RS-422 interface may support multiple devices on the same cabling.

Some RS-422 equipment uses “A” and “B” instead of “-” and “+” (respectively).



## RS-485

The RS-485 interface uses one pair of wires for communicating between two or more devices.

